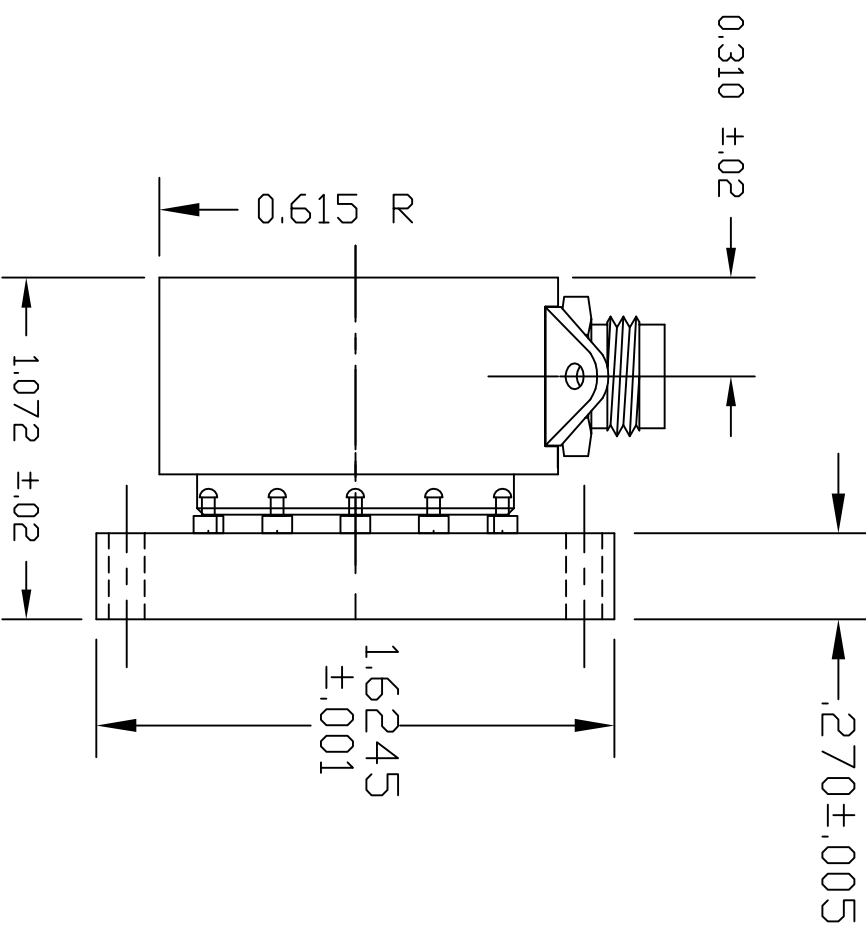
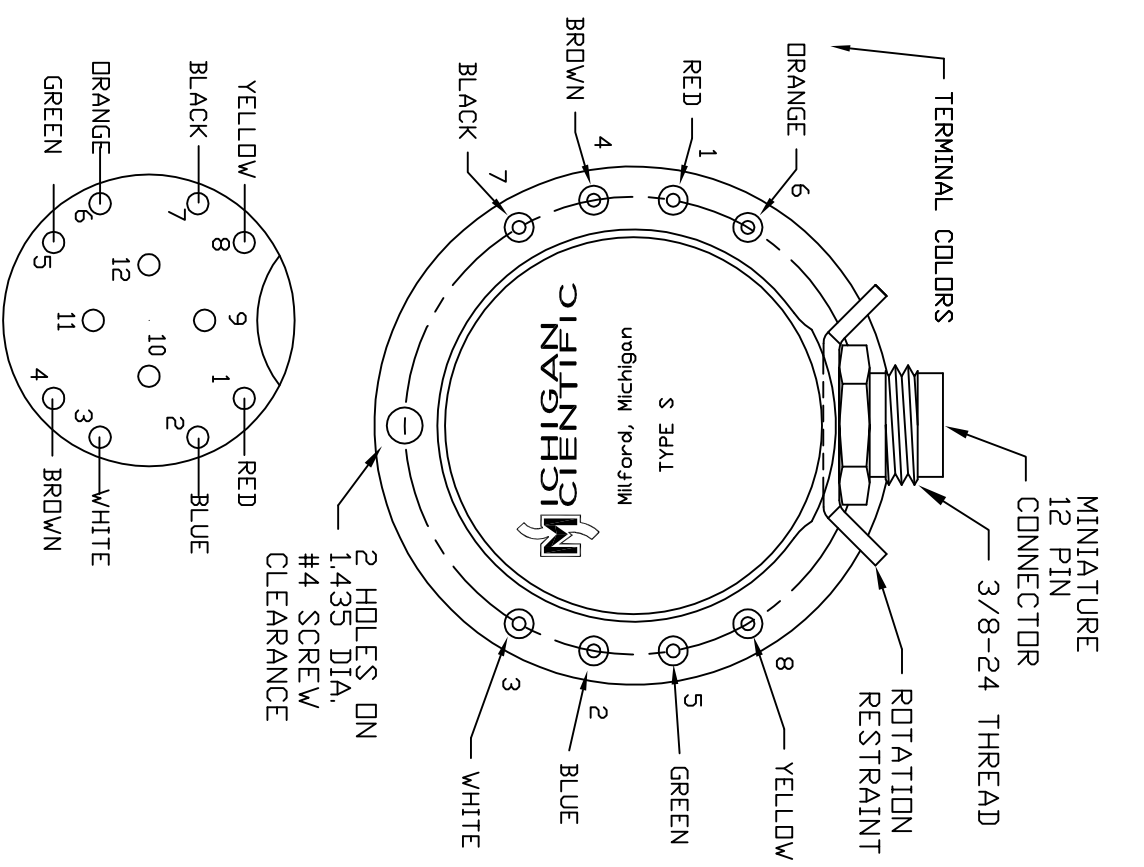


Y818E123

MODEL SHORT S8/X SLIP RING ASSEMBLY

1-30-09 KDL snap upgrades .025 longer
 7-14-15 KDL 1.6245±.001 ROTOR



FRONT VIEW OF MATING CONNECTOR.
 COLORS OF STATOR CABLE WIRES & ROTOR SOLDER TERMINALS.

ALL DIMENSIONS IN INCHES

<p>08500 ANGE ROAD CHANLEYVA, MI 49120 PHONE: (231)547-5511 FAX: (231)547-7070</p>		DESIGNED BY: BT/KDL		DATE: 6-28-00		SCALE: 1:1	
		DRAWN BY: DKK/KDL		TITLE: SHORT S8/X		CHECKED BY: KDL	
TOLERANCES		.xxxx ±----		.xxx ±---		.xx ±--	
ANGLES		±----		±---		±--	
SURFACE FINISH		----		---		--	
DRAWING NO.: C213818A		MATERIAL:		SHT OF SHTS: 1		SIZE: AH	